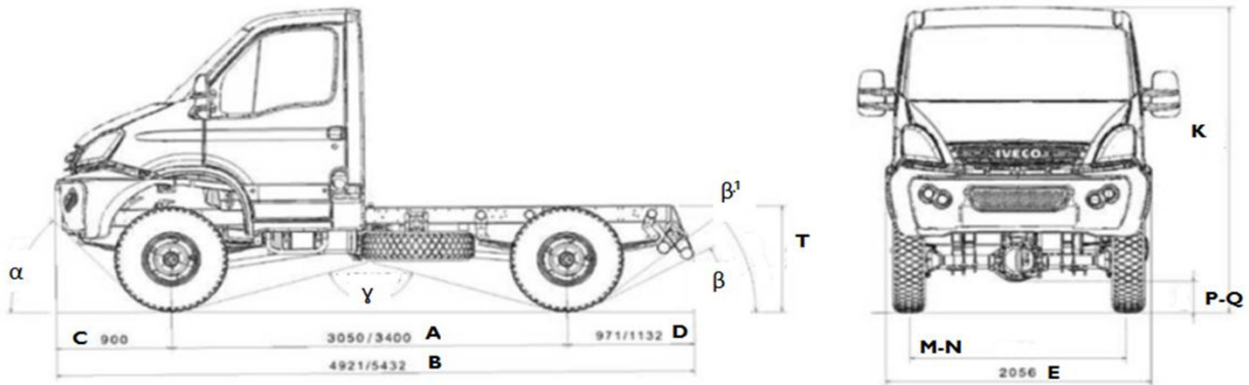


IVECO

55S15WH DAILY 4X4



DIMENSIONS (mm)

A	Wheel base	3050	3400
B	Maximum Length	4921	5432
C	Front Overhang	900	
	Max Cab width	2056	
K	Overall Height (Unladen)	2606(2644*)	2597(2634*)
M	Front Track	1670(1700*)	
N	Rear Track	1670 (1700*)	
T	Unladen Frame Height at Rear of Frame	1068(1107*)	1070(1109*)
P	Front Ground Clearance (Laden)	255(300*)	
Q	Rear Ground Clearance (Laden)	255(300*)	
D	Rear Overhang	971	1132
α	Front approach angle (Laden)	48°(50°*)	
γ	Center breakdown angle (Laden)	149°(145°*)	153°(149°*)
β	Rear Departure Angle+Rear Underrun (Laden)	30°(32°*)	28°(30°*)
β'	RDA with lifted Rear Underrun (Laden)	41°(43°*)	39°(41°*)
	Fording depth	620(660*)	
	Max Body length	2694	3266
	Max Body width	2200/2350	

Weights (Kg)

GVW	5500	
GTW	9000	
Front Axle Capacity	2450	
Rear Axle Capacity	3700	
Kerb Weight Front Axle	1715	1725
Kerb Weight Rear Axle	800	820
Kerb Weight Total	2515	2545
Max Body and Payload Capacity	2985	2955

Weights for chassis cab are with full fuel, oils, water and include driver.

(*) Dimensions with Optional Tyres 255/100R16 (Off road application)

The information in this literature is intended to be of general nature only. Iveco reserves the right to modify or change specifications at any time. For more detailed information refer to your dealer.

55S15WH

ENGINE

Type F1C E0481L- 4 stroke Diesel cycle-Watercooled-16 valves (4 per cylinders)

- DOHC - High Pressure Common Rail direct injection + EDC
- Turbocharger and intercooler + Wastegate - Cast-iron engine block with aluminium cylinder head - Suspended Oil Sump - Dual mass flywheel. Integrated Vacuum and Steering Pumps . Glow plugs .
- Blow - by system .

Basic data

Number of Cylinders	4 In Line
Bore x Stroke	95,8 mm x 104 mm
Total Displacement	2998 cm ³
Maximum Output	107 kW (146 hp) at 3000 ÷3500 rpm
Maximum Torque	350 Nm at 1400÷2600 rpm
Green Zone	1500 - 2750 rpm

Emission according **Euro 3**

FRAME

Straight steel "double C" section, side members connected by welded tubular cross members. Brackets for Body mounting on the side member upper edge.

Wheel base	3050	3400
------------	------	------

TRANSMISSION

Six speeds Overdrive ,synchroneshed manual transmission.(¹)

Push/Pull cable control. Gear Lever on Dashboard .

Performance rating (calculated value with standard tyres and axle ratio):

Gear	Gear Ratio	Maximum Geared Speed (Km/h)	Gradeability at GVW (%)
1 ^o :	5,37	--	100
6 ^o :	0,79	"Speed Limiter "	--

Power Take-Off

Facility for side mounted PTO. Maximum torque output : 180 Nm.

CLUTCH

Single dry plate hydraulic.

External Diameter: 279,5 mm (11").

Total Contact Surface: 772 cm²

FRONT AXLE

The front axle is full-floating single reduction tipe.

Axle Ratio (Standard) : 4,875

Front Differential Lock *(Optional)

REAR AXLE

The rear axle is full-floating single reduction tipe.

Axle Ratio (Standard) : 4,875

Rear Differential Lock *(Standard)

TRANSFER BOX

Permanent 4 wheels drive

Ratio	Normal	Low Ratio
On road	1:1	1:1,244
Off road	1:3,115	1:3,866

Torque distribution : 32%F - 68% R.

(¹)Total ratios : 24, in combination

with gearbox ratios.

IVECO

Rel. 2 - 04/2012

Central Differential Lock* (Standard)

* Specific electronic control unit to manage differential locks.

SUSPENSION

Front

Parabolic springs (Reinforced Anti-roll bar is Standard).

Rear

Parabolic springs (Reinforced Anti-roll bar is Standard).

Shock Absorbers

Front and Rear hydraulic telescopic shock absorbers.

ELECTRICAL SYSTEM

New CAN Bus digital communication line electrical system. According to EU rules.

Voltage: 12 volt (dual positive poles for additional service)

Battery maintenance free:12 Volt-110 Ah

Alternator : 110 Ah (140 Ah, opt.)

Starter: 2.3 kW

Electric outlet for body and auxiliary equipments: in-cab in the fuses box and inside the engine bonnet



BRAKING SYSTEM

Disc brakes Front / Drum on Rear .

Brake Dimensions : Front / Rear

Disc Diameter (mm): 297

Brake Calipers(n*x mm) : 2x46

Drum Diameter (mm): ---- / 270

Service and Emergency

Dual circuit configuration

(H configuration). Hydraulically operated with vacuum servo assistance Mechanical brake force distributor (hydraulic actuator) , also with ABS, to guarantee the braking balancing Emergency brake built into the service brake system.

Parking Brake

Mechanically controlled acting on rear drums .

ABS Standard (automatically excluded with differentials activated)

STEERING

Power steering. Diameter of steering wheel 410 mm, with steering lock.

WHEELS / TYRES (Standard)

Tyres: 9,5 R17,5 On Road

Wheels: 6 - 17,5

OTHER EQUIPMENT

Spare wheel on Lefts side under frame.

90 litre sole shaped fuel tank, with fuel filler on cab pillar, with key lock.

Front and Rear integrated Fog Lights

New wide angle rearview mirrors with integrated indicators lights.

New "Comfort" instrument cluster LCD .

Front recovery eye.

Front Bumper in steel in 3 parts.

Rear Tilttable Underrun Protection

Rear Mudguard Std .Central exhaust pipe

Standard Cruise Control