

**SUNRISE**  
**14 m<sup>3</sup>**



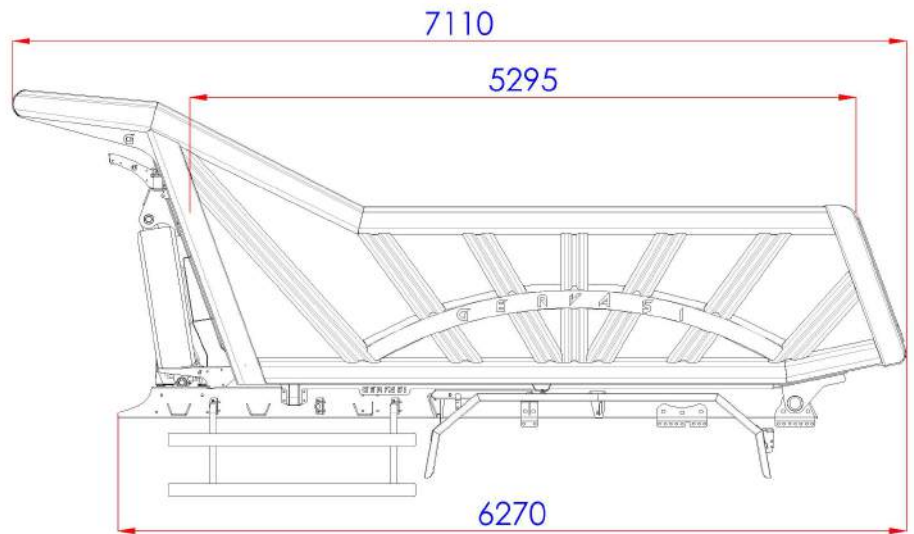
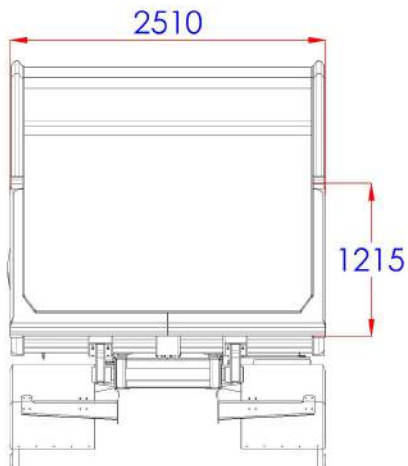
**GERVASI**

Excellence in technology

# SUNRISE

## 14 m<sup>3</sup>

3 AXLES, WHEELBASE 3500 MM



### EMPLOY

- Transport of rocks

### TIPPER BODY

- Floor tilted upward at rear about 12°
- Fixed side walls with reinforced uprights fashioned and welded continuously
- Rear gate is missing
- Front board with extra long cab protection lid
- Tipping system by means of telescopic cylinder in frontal position
- Pneumatic control of tipping/lowering of the body in the cabin
- Body support
- Water-painting cycle:
  - Sandblasting SA 2,5 by means of computerized system
  - Application of acrylic primer and finishing enamel in Your color RAL
- Rear mudguards
- Tool box
- Side protection bar

### OPTIONS

- Parking wedges with holder
- Rear gate
- Lateral clearance lights
- Adhesive reflecting strips
- Reflecting panels
- Floor and side walls of the steel HB450

<b>BODY VOLUME</b>	<b>14 m<sup>3</sup></b>
<b>BODY WEIGHT</b>	<b>5200 kg</b>
<b>TOTAL TIPPING STRUCTURE WEIGHT</b>	<b>6250 kg</b>
<b>FLOOR</b>	<b>FE510 thickness 12 mm</b>
<b>SIDE WALLS</b>	<b>FE510 thickness 10 mm</b>
<b>BODY LIFTING ANGLE</b>	<b>50°</b>

*The dimensions and weights are indicative. They can be changed without warning for manufacturing needs. Gervasi S.p.A.*

DEALER

## GERVASI

S.S. 23 del Sestriere km 29 - 10060 Scalenghe (TURIN) Italy  
 Tel: + 39 011 9866039-529 9866039 Fax: + 39 011 9866750 - www.gervasi-spa.it